



## Guidelines for Marking & Mapping Specimens

Every lab technician will find their own style for marking tissue specimens. It does not matter which colors are used on which areas. It is most important that the map is correct so that orientation is properly maintained.

We recommend use of a path sheet such as this one, which can be downloaded in pdf format ([click here to download](#)). Note the color legend which employs the use of symbols that may be used in the mapping process.

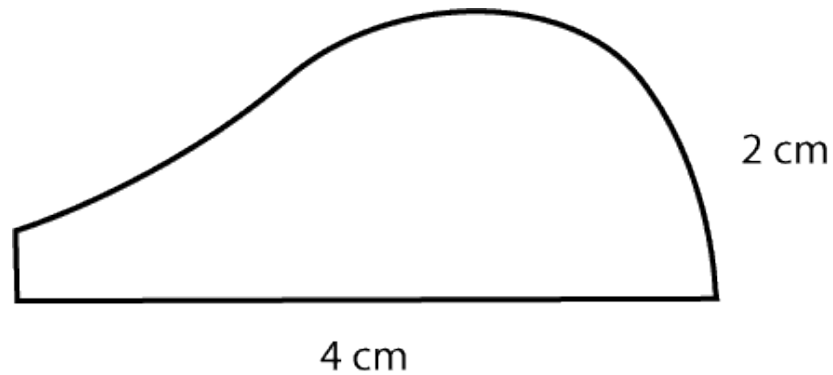
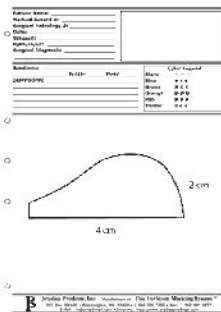
Below are steps that may serve as an example of marking and mapping tissue.

Patient Name: _____		
Medical Record #: _____		
Surgical Pathology #: _____		
Date: _____		
Surgeon: _____		
Surgical Diagnosis: _____		
Specimen: _____	Frozen _____ Fixed _____	<b>Color Legend</b> Black: - - - Blue: * * * Green: X X X Orange: @ @ @ Red: R R R Yellow: o o o
Description: _____		
_____		
_____		
_____		

- 
- 
- 
- 
- 

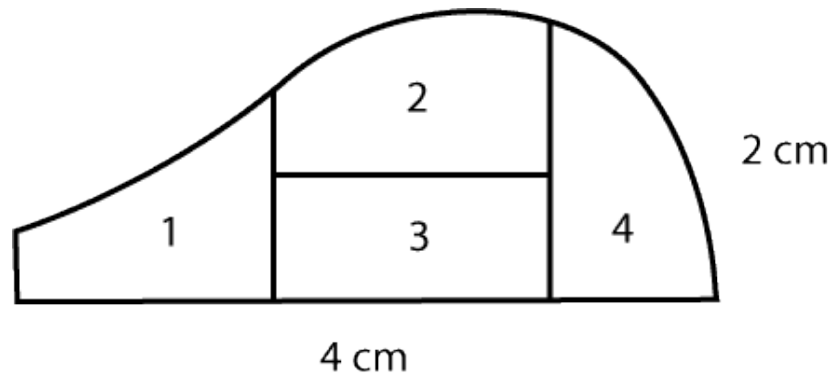
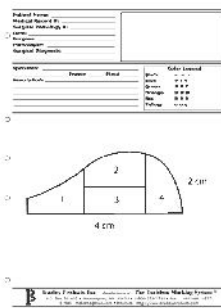
### Step 1

On the path sheet, draw the shape of the specimen that is going to be marked.



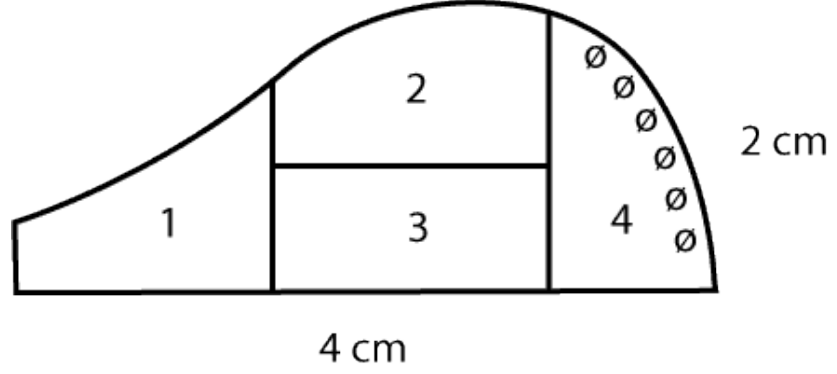
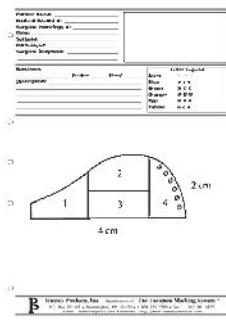
### Step 2

Cut the specimen into sections and mark the path sheet accordingly.



### Step 3

Mark an edge of the specimen.  
Mark the map accordingly using the appropriate symbol in the color legend.

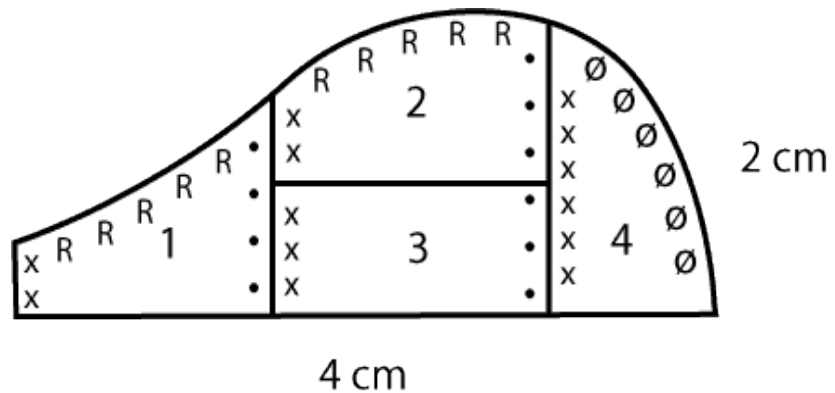
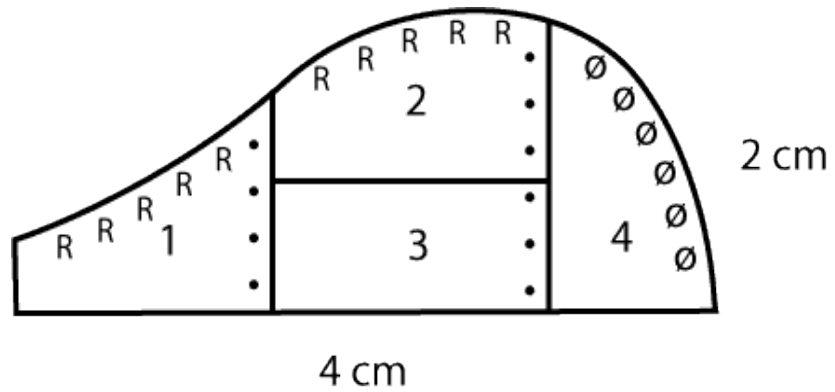
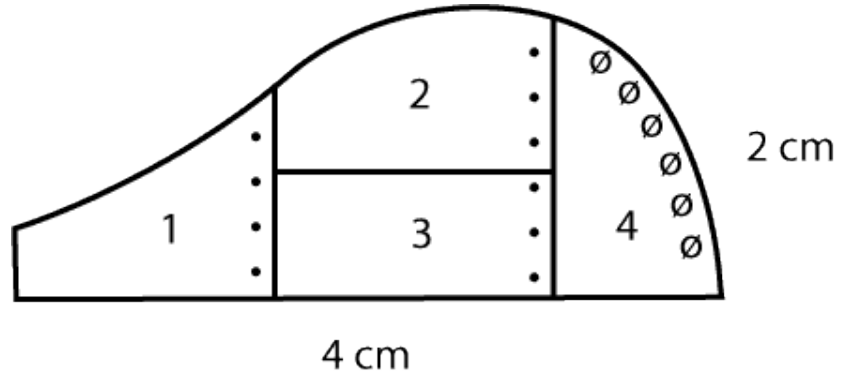


### Continue

Mark each edge of each tissue section, mapping appropriately on the path sheet as you go.

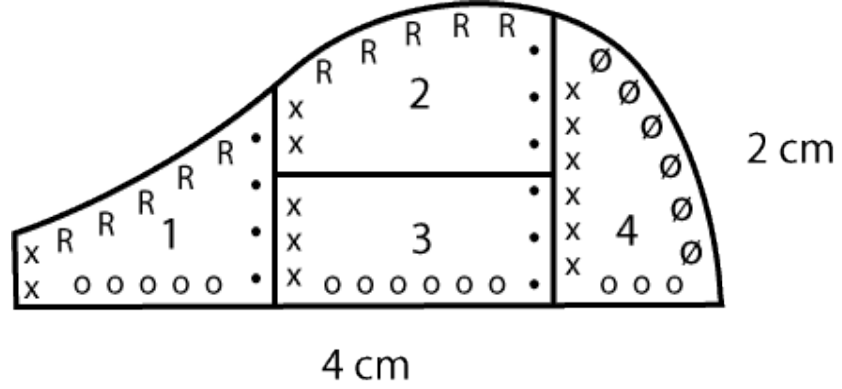
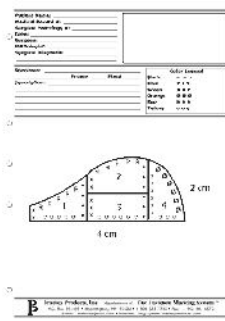
Here, you may notice that all superior sides are marked with the same color, all left sides with another color, all anterior sides with yet another color, and so on.

This is just one system that may be used.



# Finally

When all sides of each tissue section have been marked with dye and appropriately mapped on the path sheet accordingly using the color symbols, the specimens are ready for processing.



For more information, go to Instructions or Publications. If you still have questions or concerns, please contact us.